



**SHELCO
FILTERS**



BF Series

Single Bag Housings: #1, #2, #3 and #4 sizes

Shelco® BF series bag housings are manufactured of 304L or 316L stainless steel and carbon steel. Designed for 150 PSI (10 bar) and for temperatures to 300°F. Protective poly coat over stainless steel is standard finish. Positive hold down spring and adjustable stainless leg assembly are standard features on the #1 and #2 size housings.



Standard Features #1 and #2 size

- Stainless Steel or Carbon Steel construction
- 150 PSI rated design
- Band clamp or swing bolt lid closers
- Stainless steel compression spring included
- Adjustable Stainless Steel leg assembly
- 2" FNPT, side inlet and bottom outlet
- All housings come standard with Buna O-rings
- ¼" NPT gauge ports clean and dirty side
- ¼" NPT vent in head with ½" NPT bottom drain
- 1/8" Perf stainless steel basket

Standard Features #3 and #4 size

- Stainless Steel construction
- 150 PSI rated design
- Clamp closer
- ¾", 1" or 1 ½" FNPT inlet and outlet
- Side inlet and bottom outlet
- Standard with Buna O-rings
- ¼" NPT vent port in lid
- 1/8" Perf stainless steel basket

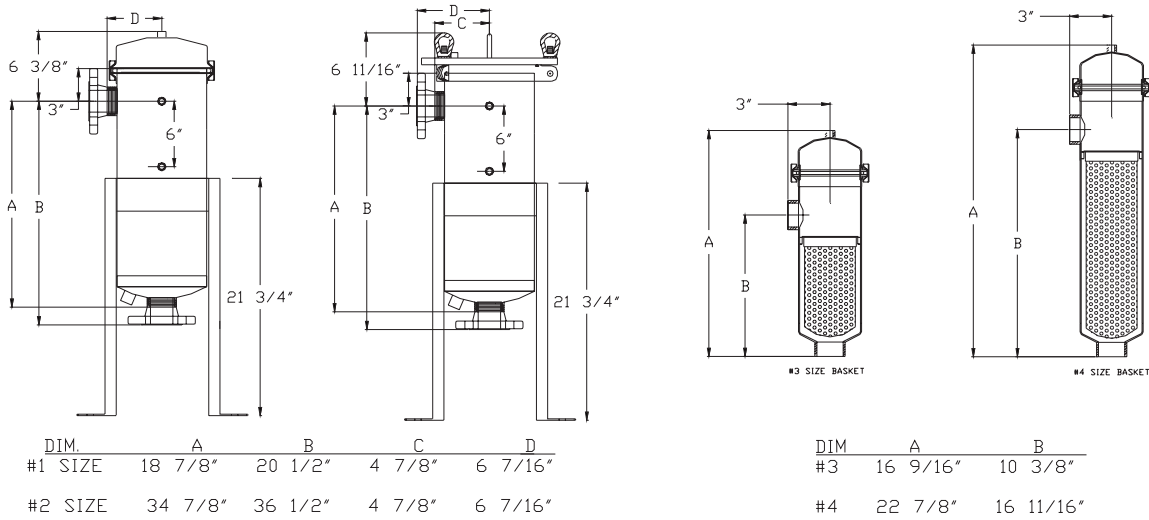
Options

- Coatings: 3M 134 coating for sea water and corrosive applications
- 10 mesh wire baskets or special mesh lined baskets
- Special porting arrangements (side in/side out)
- Specialty baskets to hold bulk carbon or resin
- Wide variety of connections; flanged, BSP, and sanitary ferrules
- Electro-polishing available
- Heat jacketing



Stainless steel basket, spring and leg assembly

Dimensions



ORDERING GUIDE #1 and #2 Sizes

BFS	-	2	C	-	2	-	316	-	2	E
Product Code		Size	Closer		Connection		Options		Style	Gaskets
BFS = Stainless Steel BFC = Carbon Steel		1 = 7x18 2 = 7x32	C = Clamp SB = Swing Bolt		2 = 2" FNPT 2F = 2" RFF 3 = 3" FNPT 3F = 3" RFF 2TC = 2" TC		Blank = 304 316 = 316 SS 134 = *3M 134 Coating over 304 SS		Blank = Side in, Bottom out 2 = Side in, Side out	Blank = Buna E = EPDM S = Silicone V = Viton T = Teflon

*Note: 134 coating must have swing bolt closer and flanged connections. Maximum inlet and outlet port size is 3"

ORDERING GUIDE #3 and #4 Sizes

BFS	-	4	C	-	1	-	316	-	2	E
Product Code		Size	Closer		Connection		Options		Style	Gaskets
BFS = Stainless Steel		3 = 4x7 4 = 4x14	C = Clamp		75 = 3/4" FNPT 1 = 1" FNPT 1.5 = 1 1/2" FNPT		Blank = 304 316 = 316 SS		Blank = Side in, Bottom out 2 = Side in, Side out	Blank = Buna E = EPDM S = Silicone V = Viton T = Teflon



134 Coating for sea water and corrosive environments



Complete line of bag filter media



Multi Round bag housings 2 thru 6 round



tel: 800.543.5843
fax: 860.667.6549
e-mail: info@shelco.com
www.shelco.com

SHELCO FILTERS

697 Cedar Street . Newington, CT 06111 . USA