



**SHELCO
FILTERS**



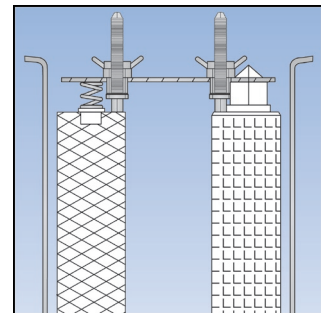
7FOS

Universal Multi-Cartridge Housings

Our seven round models are designed for flow rates to 200 GPM. "Universal" housings accept DOE, 222 fin or flat cartridges. Options include 304L or 316L stainless steel; band clamp or swing bolt closure. Design pressure 150psi (10bar) @ 300°F (149°C). Standard inlet and outlet connections are 2" MNPT with many other options available by special order. Standard finish is poly-coat over stainless. All seven round models are standard with mounting legs. Standard gasket is FDA grade Buna-N.

Features

- Designed for industrial and commercial filtration needs
- Heavy duty stainless steel construction for durability
- 304L standard and 316L stainless steel available.
- Band clamp and swing-bolt closures for quick cartridge change outs
- Pipe fittings readily accessible for easy installation
- Mounting legs standard
- Knife edge seal at both cartridge ends to eliminate by-pass
- Standard housings accept double-open-end cartridges and 222/Flat or Fin
- Available with 226 cartridge adapters
- Complete selection of pipe fittings: flanged, sanitary, BSP, grooved and others
- See ordering guide for a complete selection of options to fit your application



Adjustable top plate takes DOE or 222/Fin or Flat Cartridges

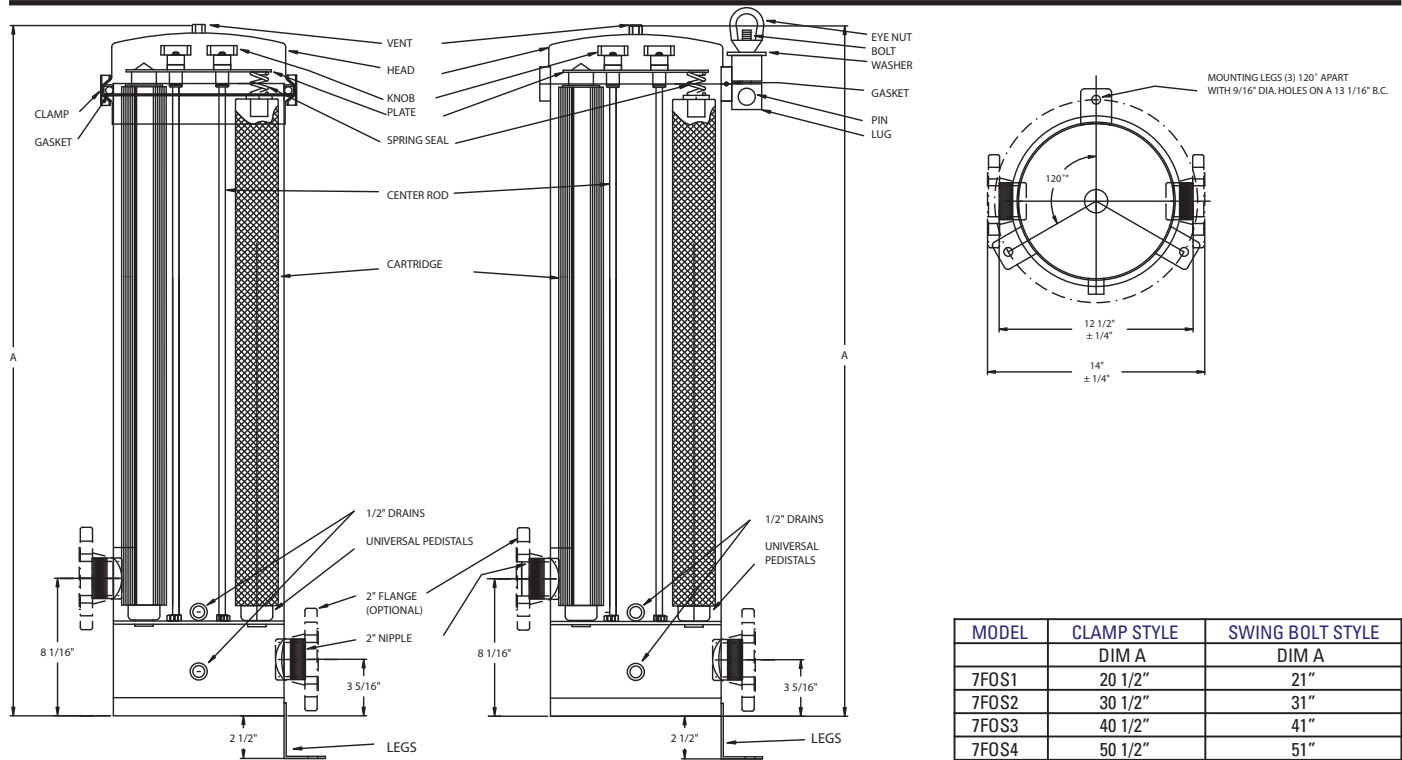
Standard Design Specifications

Model	Qty. (Length) of Cartridges†	Flow Rate GPM*	Pipe Size	Drains	Vent	Max Ctg Diameter	Shipping Wgt. Clamp	Box Size Clamp	Shipping Wgt. Swing Bolt	Box Size Swing Bolt
7FOS1	7 (10")	49	2" MNPT	1/2"NPT	1/4"NPT	2 3/4" OD	40 lbs	18x18x25	71 lbs	18x18x29
7FOS2	7 (20")	98	2" MNPT	1/2"NPT	1/4"NPT	2 3/4" OD	51 lbs	18x18x35	82 lbs	18x18x39
7FOS3	7 (30")	147	2" MNPT	1/2"NPT	1/4"NPT	2 3/4" OD	60 lbs	18x18x45	91 lbs	18x18x49
7FOS4	7 (40")	196	2" MNPT	1/2"NPT	1/4"NPT	2 3/4" OD	70 lbs	18x18x55	101 lbs	18x18x59

†Housings will accept: 10" = (9 3/4" or 10") 20" = (19 1/2" or 20") 30" = (29 1/4" or 30") 40" = (39" or 40") lengths

*Based on 7gpm per 10" length with a 25 micron wound cartridge at 2PSID clean and a viscosity of 1 cps. Flow rates are for guide lines only. Actual flow rates are based on fluid, viscosity, cartridge type, micron ratings and other factors. It is recommended if your flow rate is greater than 150gpm that you increase your pipe size to 3" to reduce the pressure drop across the housing.

Dimensions



MODEL	CLAMP STYLE	SWING BOLT STYLE
	DIM A	DIM A
7FOS1	20 1/2"	21"
7FOS2	30 1/2"	31"
7FOS3	40 1/2"	41"
7FOS4	50 1/2"	51"

ORDERING GUIDE

7 FOS 3 - SB - 316 - 226 - 2F - EP - OL - E									
No. of Columns	Product Code	No. of Stacks	Closure Style	Material	Cartridge Configuration	Connection Type	Finish	Options	Gasket
7	FOS	1 = 1 High 2 = 2 High 3 = 3 High 4 = 4 High	Blank = V-Band Clamp SB = Swing Bolt	Blank = 304L 316 = 316L	Blank = Universal Pedestal 226 = 226 Style Cartridge Fin or Flat	Blank = 2" MNPT 1.5MNPT = 1 1/2" MNPT BSP = 2" BSP-NIPPLE 1F = 1" Flange 1.5F = 1 1/2" Flange 2F = 2" Flange 3F = 3" Flange 1TC = 1" Ferrules 1.5TC = 1 1/2" Ferrules 2TC = 2" Ferrules 2.5TC = 2 1/2" Ferrules 3TC = 3" Ferrules GF1.5 = 1 1/2" Grooved Fittings GF2 = 2" Grooved Fittings GF3 = 3" Grooved Fittings 2FMPT = 2" Coupling	Blank = Standard Poly Coat EP = Electro-Polished GB = Glass Bead P = Passivate	Blank = ML Legs OL = Heavy Duty Legs GP = Gauge Ports GPA = Gauge Ports with gauges	Blank = Buna E = EPR S = Silicone V = Viton TS = Teflon Encapsulated Silicone



Flanged Fittings



Sanitary Fittings



Gauge Port Assembly



Electro-polish



tel: 800.543.5843
 fax: 860.667.6549
 e-mail: info@shelco.com
 www.shelco.com

SHELCO FILTERS

697 Cedar Street . Newington, CT 06111 . USA